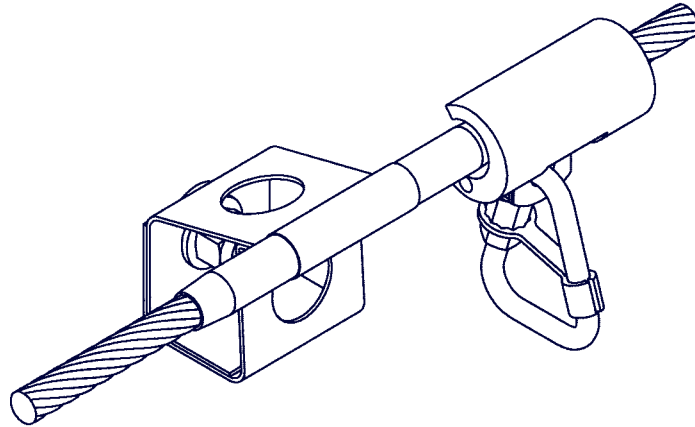


**Engineered Systems From SALA**

# Sayfglida Engineered Permanent Horizontal Lifeline Systems



Owner \_\_\_\_\_

Sold To Date \_\_\_\_\_

Contract/Project # SYG \_\_\_\_\_



---

SALA Engineered Systems  
3965 Pepin Ave - Red Wing, MN 55066  
877-746-2672 (Toll Free) 651-385-8658 (Fax)  
[horizontalsystems@dbisala.com](mailto:horizontalsystems@dbisala.com)

**Owner's Manual**

*Index*

System Certification

System Warranty

- Limitations

System Instructions

- Applications
- System Requirements
- Operation and Usage
- Training
- Inspection
- Maintenance, Servicing & Storage
- Labeling

Technical Specifications

## *System Certification*

Thank you for choosing SALA Engineered Systems as your supplier for fall protection.

Please keep a copy of this System Certification on file with your Safety Department.

SALA Engineered Systems certifies the Sayfglida Systems for a period of one year from installation date.

System Reference Number

SYG \_\_\_\_\_

Installation Date

Date \_\_\_\_\_

Inspection Service Due

Date \_\_\_\_\_

Number of Users System(s) is Rated for

Number of Users \_\_\_\_\_

*Note: each user should not exceed 310 lbs including tools and equipment.*

Cable Installed By

Technician \_\_\_\_\_

## *Warranty*

Systems and componentry offered by SALA Engineered Systems is warranted against factory defects in workmanship and material for a period of one year from the date of installation of the system or use by the owner provided that this period shall not exceed two years from the date of shipment. Upon notice in writing, SALA Engineered Systems will promptly repair all defective parts. SALA Engineered Systems reserves the right to elect to have any defective part returned to it's plant for inspection before making a repair or replacement. Warranty does not cover componentry damages resulting from abuse, damage in transit or other damage beyond the control of SALA Engineered Systems. This warranty applies only to the original purchaser and is the only one applicable to our products and is in lieu of all other warranties expressed or implied.

## *Limits of Warranty*

The warranty does not cover:

- The anchoring structure when not supplied SALA Engineered Systems.
- Damaged parts caused by unauthorized post installation strength tests.
- Installation, when not installed by SALA Engineered Systems or an authorized installer.
- Installation, when a system has been installed based on inaccurate information or drawings.
- Use of system beyond its rated capacity.

## User Instructions

### 1.0 APPLICATIONS:

- 1.1 **PURPOSE:** The Sayfglida Horizontal Lifeline System is intended to be used as a personal fall arrest or restraint system which provides continuous, hands free protection as the connected person moves horizontally.
- 1.2 The following application limitations must be recognized and considered before using this product:
- A. **ANCHORAGE:** Sayfglida Horizontal Lifeline Systems must meet the anchorage strength requirements as set forth in section 2.2.
  - B. **CAPACITY:** These Sayfglida Horizontal Lifeline Systems are project specific. See system label for max. allowed users and weight capacity.
  - C. **FREE FALL:** These Sayfglida Horizontal Lifeline Systems must be rigged in such a way as to limit the free fall to a maximum of 6 feet ( ANSI Z359.1-1992) or five feet per ANSI A10.14-1991 for fall arrest systems and zero feet for restraint systems.
  - D. **FALL CLEARANCE:** Make certain that enough clearance exists in your fall path to prevent striking an object. Each Sayfglida Horizontal Lifeline System is designed to ensure that every fall is fully arrested before the user strikes the ground or any obstacle.
  - E. **CORROSION:** Do not leave user equipment of the Sayfglida Horizontal Lifeline Systems (ie. full body harness, shock absorbing lanyard or Sayflink) for long periods in environments where corrosion of metal parts could take place as a result of vapors rising into the atmosphere from organic materials. Caution should be exercised when working around sewage or fertilizer because of their high concentration of ammonia which is very corrosive. Use near sea water or other corrosive environments may require more frequent inspections or servicing to assure corrosion damage is not affecting the performance of the product.
  - F. **CHEMICAL HAZARDS:** Solutions containing acids, alkali, or other caustic chemicals, especially at elevated temperatures may cause damage to this equipment. When working with such chemicals, frequent inspection of this equipment must be performed. Consult DBI/SALA if doubt exists concerning using this equipment around chemical hazards.

G. **HEAT:** This equipment is not designed for use in high temperature environments. Protection should be provided for this equipment when used near welding, metal cutting, or similiat activities. Consult SALA for details on high temperature environments.

H. **ELECTRICAL HAZARDS:** Due to the possibility of electric current flowing through this equipment, or connecting components (hooks), use extreme caution when working near high voltage power lines.

I. **TRAINING:** This equipment is intended to be used by persons who have been properly trained in its correct application and use.

1.3 Refer to national concensus standards, applicable local, state, and federal (OSHA) requirements governing this equipment for more information on personal fall arrest or restraint systems and associated system components.

## 2.0 SYSTEM REQUIREMENTS:

2.1 **COMPATIBILITY OF COMPONENTS / SUBSYSTEMS:** This equipment is designed for use with SALA approved components or subsystems (ie. harnesses, lanyards or self retracting lifelines). Substitutions or replacements made with non-approved components, subsystems, or both may jeopardize compatibility between equipment and could affect the reliability and safety of the complete system. Contact SALA if you have any questions about compatibility.

2.2 **ANCHORAGE REQUIREMENTS:** All anchorage requirements have been pre-engineered based on the system requirements as provided by the end user. Please see installed site label (Ref. Section 7) for complete system ratings. Do not exceed limitations of system.

## 3.0 OPERATION AND USAGE:

**WARNING:** *Do not alter or intentionally misuse this equipment; your safety may depend on it. Consult SALA when using this equipment in combination with other components or subsystems other than those described in this manual. Some subsystem and component combinations may interfere with the proper operation of this equipment. Use caution when using this equipment around moving machinery and electrical hazards. Use caution when using this equipment around sharp edges and chemical hazards.*

**WARNING:** *Consult your doctor if there is any reason to doubt your fitness to safely absorb the shock from a fall arrest. Age and fitness seriously affect a worker's ability to withstand falls. Pregnant women or minors must not use SALA Sayfglida Systems.*

- 3.1 BEFORE EACH USE** of this equipment, carefully inspect it to assure that it is in serviceable condition. Check that the Sayflink swivel link is free to swivel and the securing pin is flush with the ends of the Sayflink Sleeve's body. For the detachable model, check that the locking pins depress and return freely and that the arm of the sleeve opens and closes smoothly. Remove any dirt from inside the bore of the Sayflink Sleeve. Check for worn, bent or damaged parts; ensure all hardware (ie. harness, lanyard, self retracting lifeline and Sayflink, etc.) are present and secure and are not distorted, or have any sharp edges, burrs, cracks, or corrosion. Check subsystems (ie. full body harness, lanyard, or self retracting line) per associated manufacturer's instructions. Refer to section 5.0 for further inspection details. Do not use if inspection reveals an unsafe condition.
- 3.2 PLAN** your fall arrest or restraint system before starting your work. Take into consideration factors that affect your safety at any time during use. The following list gives some important points to consider when planning your system:
- A. SHARP EDGES:** Avoid working where the connecting subsystem (ie. full body harness, lanyard, self retracting lifeline, etc.) or other system components will be in contact with, or abraid against, unprotected sharp edges. If working with this equipment near sharp edges is unavoidable, protection against cutting must be provided by using a heavy pad or other means over the exposed sharp edge.
  - B. SWING FALLS:** Swing falls occur when the anchorage point is not directly above the point where a fall occurs. The force of striking an object while swinging (horizontal speed of the user due to the pendulum affect) can be great and may cause serious injury. Also in a swing fall situation, the total vertical fall distance of the user may be greater than if the user had fallen vertically (directly below the anchorage point) thus, an increase in the total free distance, and the distance needed to arrest the fall may increase. Swing falls can be minimized by working as directly below the anchorage point as possible. If a swing fall situation exists in your application, contact SALA before proceeding.
  - C. RESCUE:** It is vital that a rescue plan can be implemented should a user fall at any point along a Sayfglida System. It should be assumed that the fallen user will not be able to participate in his rescue. Differing rescue solutions would apply for different types of application. SALA will recommend a suitable rescue system for each application and, applicable, will supply relevant equipment.

**D. AFTER A FALL:** If a Sayfglida System has been used to arrest a fall, further use of the system should be restricted until a SALA Technician has performed a full site inspection. During a fall arrest, certain Sayfglida components would have deformed to help dissipate some of the fall's energy and will require replacement. If practical, any inspection should be performed using suitable access equipment which does not require the Technician to tie-off to the Sayfglida System. The user's full body harness and shock absorbing lanyard should be discarded. If a self retracting lifeline was used, this unit needs to be sent back to SALA or a factory authorized facility for inspection and maintenance.

**3.3 MAKING CONNECTIONS TO SAYFGLIDA SYSTEM WITH THE STANDARD SAYFLINK SLEEVE:** Gaining access at the Entry/Exit Units involves first lifting up the spring loaded lever. Then position the Sayflink Sleeve so that the top left corner of the label is first to pass up through the opening. Feed the Sayflink Sleeve onto the system.

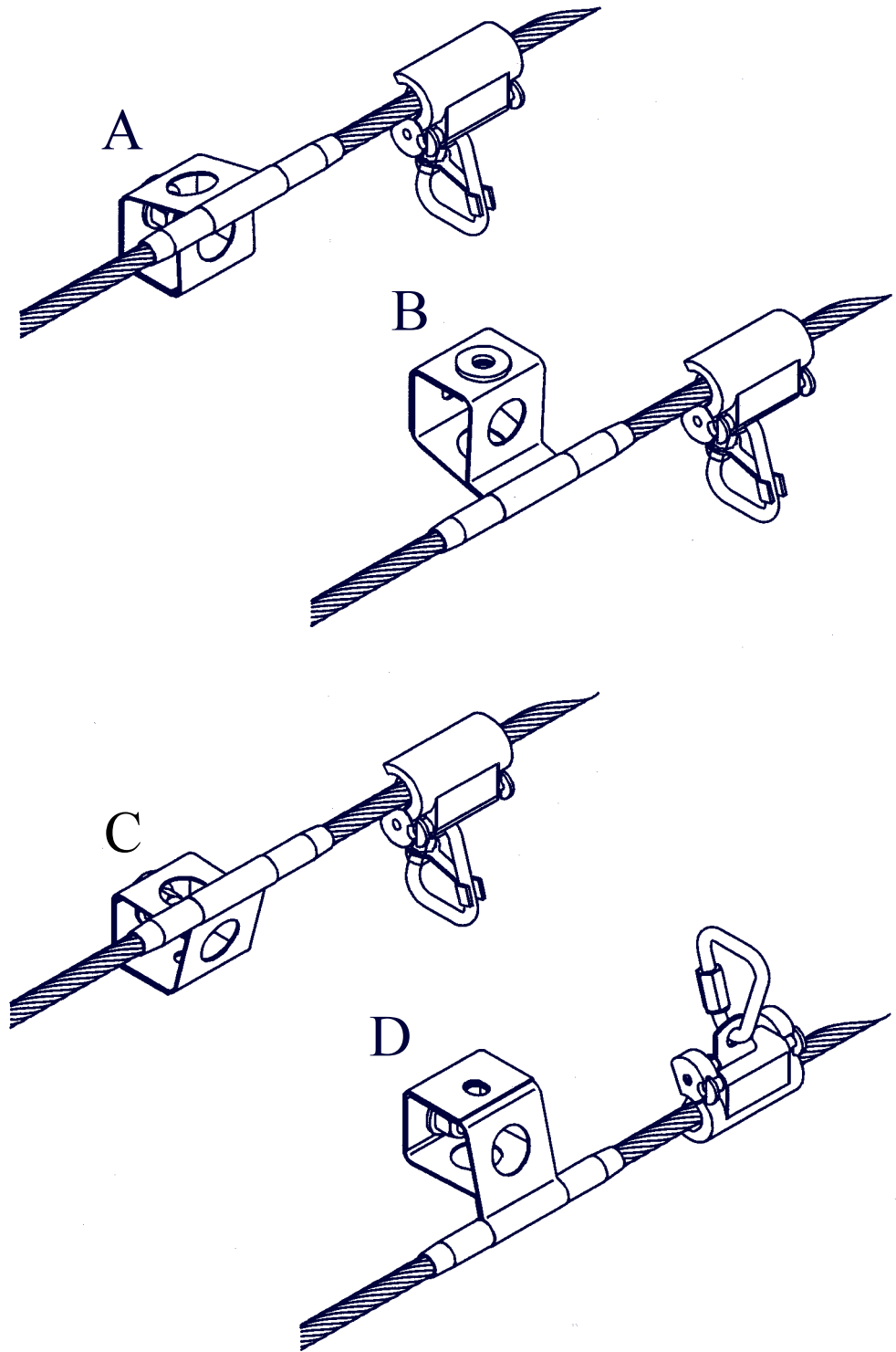
**3.4 MAKING CONNECTIONS TO SAYFGLIDA SYSTEM WITH THE DETACHABLE SAYFLINK SLEEVE:** Gaining access to the Sayfglida System using the detachable Sayflink Sleeve involves first determining which way the Sayflink Sleeve will be positioned on the system. By looking at Figure #1, you can figure out whether the Sayflink Sleeve will be fed onto the cable with the label right side up or upside down. Figure #1 shows the four (4) ways the Intermediate Bracket can be incorporated into the Sayfglida System. If the Intermediate Bracket is positioned like figures A, B, and C, the Sayflink Sleeve should be fed onto the system with its label right side up and slot away from the user (user is on operational side of cable). If the Intermediate Bracket is positioned like figure D, the Sayflink Sleeve should be fed onto the system with its label upside down and slot away from the user (user is on operational side of cable).

After determining the Sayflink Sleeve's correct position, begin gaining access to the system by depressing the locking pins on the sleeve. While still depressing the pins, swing the Sayflink Sleeve's gate open and capture the cable by closing the gate around the cable. Once the gate is closed, let go of the locking pins and the Sleeve is now locked onto the cable.

To exit the system at any one of the access points, use the steps called out above in section 3.3, then back the Sayflink Sleeve out of the terminal or unit. For the detachable model, depress the locking pins, open the gate, and remove the Sayflink Sleeve from the system.

# Engineered Systems From SALA

Figure #1



- 3.5 MAKING CONNECTIONS TO THE BODY SUPPORT:** After the user equipment is attached to the Sayfglida System, next attach the shock absorbing lanyard or self retracting lifeline supplied with the Sayfglida System to the full body harness at the back D-ring. The site label will alert the user to the proper user equipment that the Sayfglida System is designed for. Make certain accidental disengagement (roll-out) cannot occur. Roll-out occurs when interference between a hook and the mating connector causes the hook's gate or keeper to accidentally open and release. Self locking snap hooks should be used to reduce the possibility of rollout.
- 3.6 WALKING ALONG THE SAYFGLIDA SYSTEM:** Once attached to the Sayfglida System, the Sayflink Sleeve will follow the user along the lifeline and will automatically pass over each intermediate support bracket or corner unit. When walking around a Sayfglida System featuring an internal corner, there is a tendency for the user to cut across the corner rather than follow the line of the Sayfglida System. As a result, it is possible that the user will have moved beyond the corner before the trailing Sayflink Sleeve has fully negotiated the corner unit. Should this be the case, the Sayflink Sleeve could stick on the corner unit interrupting the movement of the user. This can be avoided either by walking to the apex of the corner before beginning to turn or holding the lanyard so that the trail distance is restricted.

**WARNING:** *Movement along the Sayfglida System must be done manually by the user of the system. Never allow moving stock (such as railcars) to move the user along the Sayfglida System. This could cause serious injury or death.*

**WARNING:** *If the Entry/Exit Unit has been installed in a location where a fall could occur, ensure that a secondary means of fall protection (ie. a lanyard connected to a separate anchor point) is available. The user should not detach from this secondary lanyard until the Sayflink Sleeve has been attached to the lifeline.*

#### **4.0 TRAINING:**

- 4.1** It is the responsibility of the user and the purchaser of this equipment to assure they are familiar with these instructions, trained in the correct care and use of, and are aware of the operating characteristics, application limits and the consequences of improper use of this equipment.

**IMPORTANT:** *Training must be conducted without exposing the trainee to a fall hazard. Training should be repeated periodically.*

## 5.0 INSPECTION:

### 5.1 FREQUENCY

- Monthly, visually inspect per the steps listed in section 5.2.
- Yearly, SALA recommends that the Sayfglida System be inspected and recertified by a SALA technician or certified installer on a yearly basis.

### 5.2 INSPECTION STEPS

**Step #1.** Inspect the system components (entry/exit units, terminations, end anchors, intermediate brackets and cable) for excessive corrosion, dents, cracks, fraying and deformities.

**Step #2.** Check the fasteners of the end anchors and intermediate brackets making sure the end anchors are torqued at 75 ft./lbs. and the intermediate brackets at 18 ft./lbs.

**Step #3.** Check the site label(s) making sure they are present, fully legible and secured near an entry/exit unit.

**Step #4.** Inspect the User Equipment per the associated manufacturer's instructions for inspection. Check the Sayfink Sleeve for excessive wear or deformities.

**IMPORTANT NOTE:** *The specific tension of the cable for your system is called out in the engineered drawing supplied with the system. If there is a tensioning question, please refer to your engineered drawing or contact SALA.*

5.3 If inspection reveals a defective condition, contact SALA for repair.

## 6.0 MAINTENANCE - SERVICING - STORAGE:

6.1 Remove dirt from the cable using a fiber brush. Do not use a wire brush and do not apply any solvents or lubricants without prior approval from SALA. Clean all other Sayfglida components using a non-abrasive cloth and hot water/mild detergent mix. Dry with a clean cloth. Do not use solvents to clean any Sayfglida Component.

- 6.2 Please refer to the instructions supplied with the harness, lanyard, and self retracting lifeline for cleaning and servicing procedures. Store harness, lanyard, or self retracting lifeline in cool, dry, clean environment out of direct sunlight.
- 6.3 As required, apply a light water repellent lubricant (such as WD40) sparingly to the link hinge on Sayflink Sleeve only. **Do not apply any lubricant to the inner surfaces of the Sayflink Sleeve without the prior approval of SALA. Do not apply any lubricant to the cable without the prior approval of SALA.**
- 6.4 Additional maintenance and servicing procedures (ie. replacement parts) must be completed by a factory authorized service center. Authorization must be in writing.

## 7.0 LABELING:

- 7.1 The site label should be located near any entry/exit units of the system. The label will contain the following: the maximum amount of users the system is designed for, what user equipment should be used on the system, the system number, when and who installed the system. Please see a drawing of the label in the Technical Specifications section.

# Stainless Steel Cable

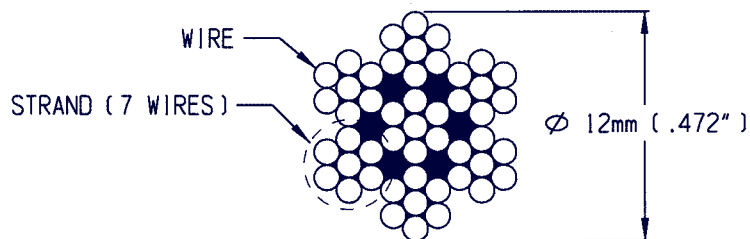
Part Number  
7202372

Material  
316 stainless steel

Construction  
12mm (0.472") diameter  
7 strands X 7 wires per strand  
Right hand ordinary lay

Weight  
0.366 lbs per lineal foot

Breaking strength  
> 18,600 lbs



# 135 Degree Ox-bow Corner

Part Number  
7209217

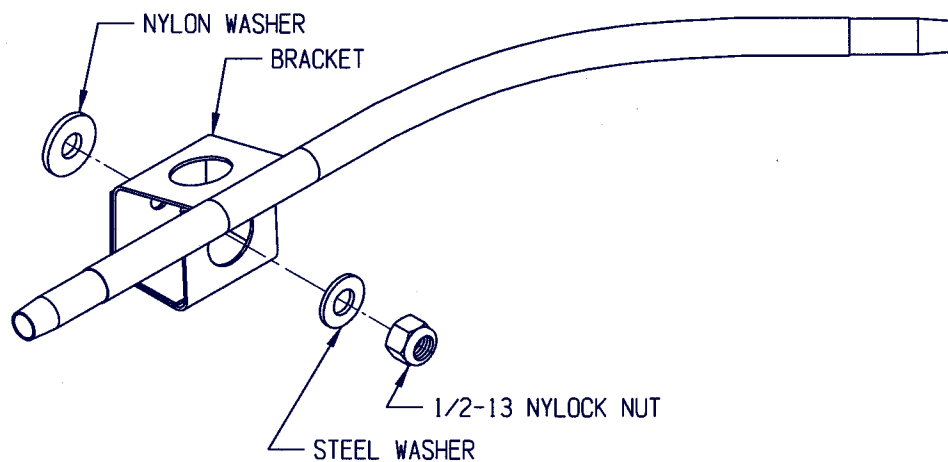
Material

- 316 stainless steel bracket
- 316 stainless steel tubes
- 316 stainless steel washer
- nylon 6/6 isolation washer
- 316 stainless steel lock nut with nylon insert

Weight  
1.5 lbs.

Notes

Corner units can be adapted to inside or outside corner bends. Contact SALA for the proper bracket orientation. The bracket may be oriented in one of several orientations based on the specific application. Requires one 1/2"-13 fastener.



## 90 Degree Ox-Bow Corner

Part Number  
7209218

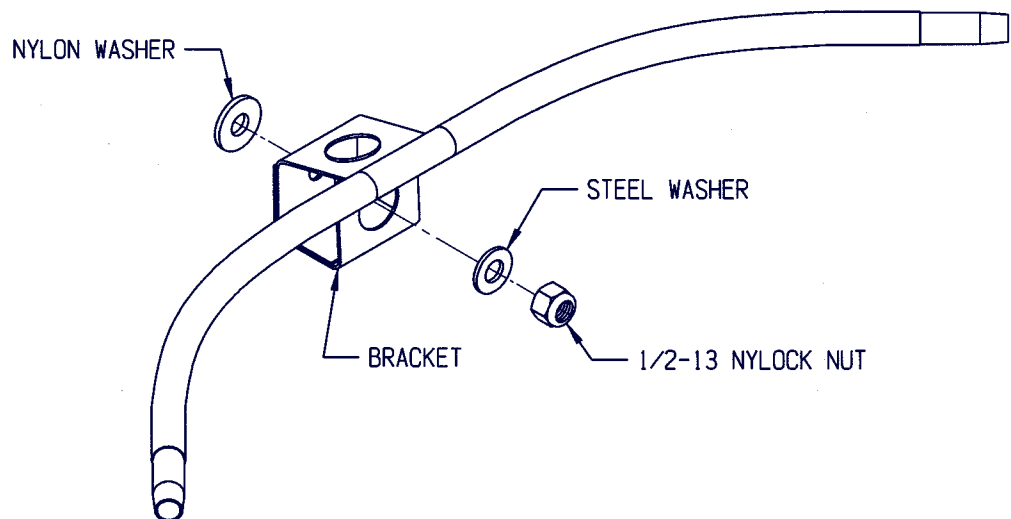
### Material

316 stainless steel bracket  
316 stainless steel tubes  
316 stainless steel washer  
nylon 6/6 isolation washer  
316 stainless steel lock nut with nylon insert

Weight  
1.8 lbs.

### Notes

Corner units can be adapted to inside or outside corner bends. Contact SALA for the proper bracket orientation. The bracket may be oriented in one of several orientations based on the specific application.  
Requires one 1/2"-13 fastener.



## 90 Degree Corner

Part Number

7209206

Material

316 stainless steel bracket

316 stainless steel tubes

316 stainless steel washer

nylon 6/6 isolation washer

316 stainless steel lock nut with nylon insert

Weight

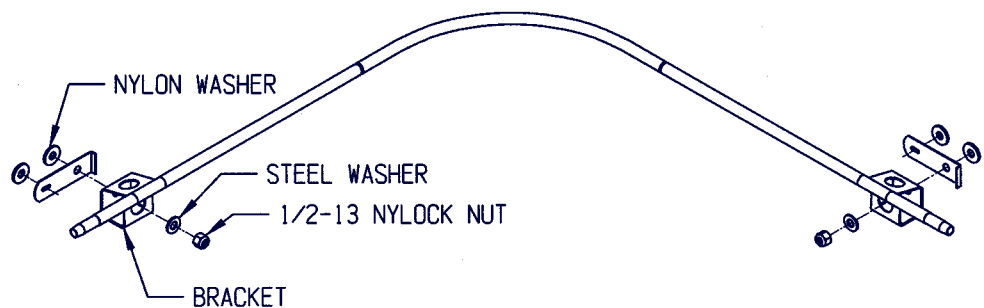
4.6 lbs.

Notes

Corner units can be adapted to inside or outside corner bends.

Contact SALA for the proper bracket orientation. The bracket may be oriented in one of several orientations based on the specific application.

Requires two 1/2"-13 fasteners.



## 2 x 45 Degree Internal Corner

Part Number  
7209220

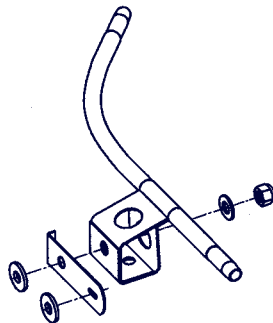
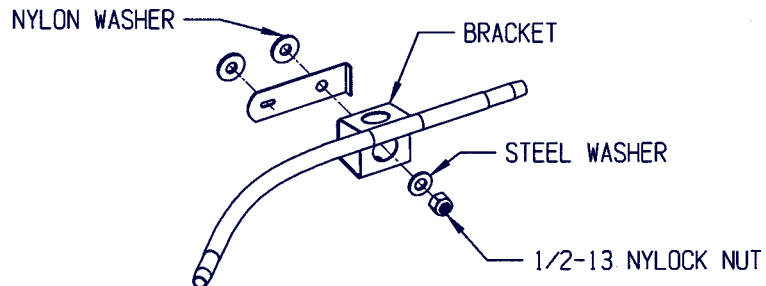
### Material

316 stainless steel bracket  
316 stainless steel tubes  
316 stainless steel washer  
nylon 6/6 isolation washer  
316 stainless steel lock nut with nylon insert

Weight  
3.0 lbs.

### Notes

Corner units can be adapted to inside or outside corner bends.  
Contact SALA for the proper bracket orientation. The bracket may be oriented in one of several orientations based on the specific application.  
Requires two 1/2"-13 fasteners.



## 90 Degree Re-inforced Corner

### Part Number

7211897

### Material

316 stainless steel bracket

316 stainless steel tubes

316 stainless steel washer

nylon 6/6 isolation washer

316 stainless steel lock nut with nylon insert

Zinc plated steel backer plate

### Weight

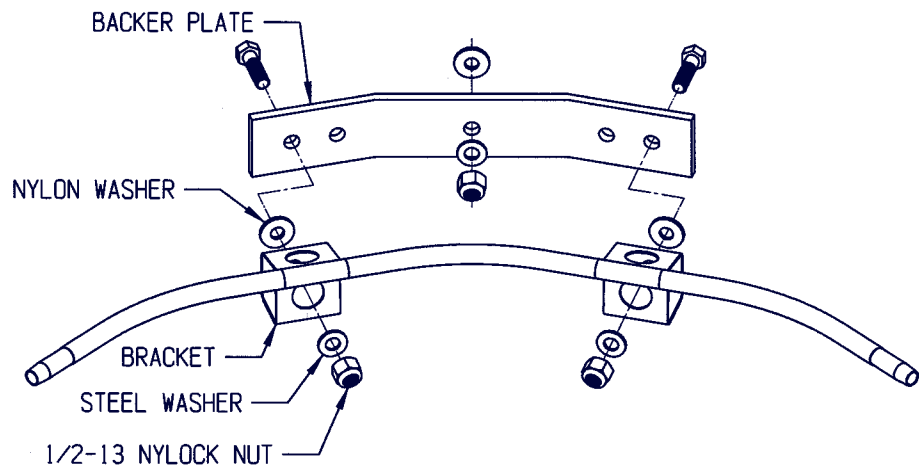
7.4 lbs.

### Notes

Corner units can be adapted to inside or outside corner bends.

Contact SALA for the proper bracket orientation. The bracket may be oriented in one of several orientations based on the specific application.

Requires one 1/2"-13 fastener.



## 135 Degree Re-inforced Corner Unit

### Part Number

7200002

### Material

316 stainless steel bracket

316 stainless steel tubes

316 stainless steel washer

nylon 6/6 isolation washer

316 stainless steel lock nut with nylon insert

Zinc plated steel backer plate

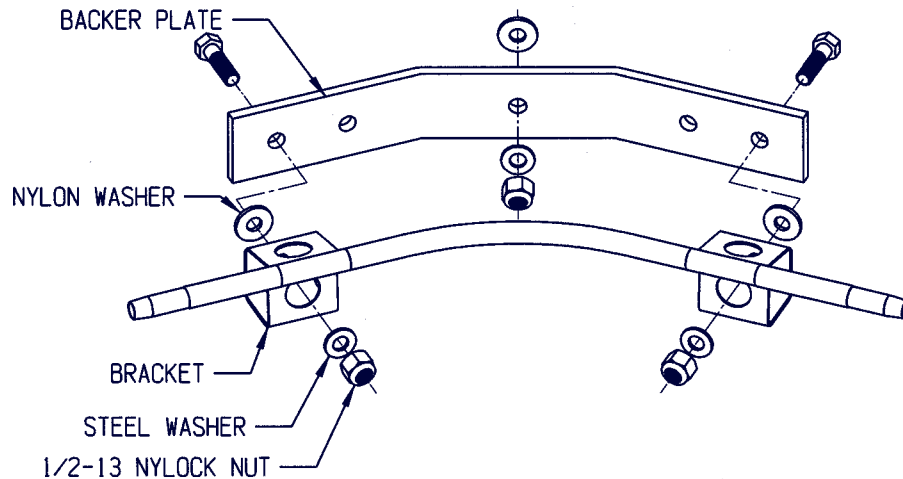
### Weight

7.6 lbs.

### Notes

Corner units can be adapted to inside or outside corner bends. Contact SALA for the proper bracket orientation. The bracket may be oriented in one of several orientations based on the specific application.

Requires one 1/2"-13 fasteners



## Detachable Sayflink Sleeve

Part Number

7209284

Material

17-4PH stainless steel body components

17-4 PH stainless steel locking pins and hinge pin

Stainless steel swivel and springs

Zinc plated steel delta link and locking tab

Weight

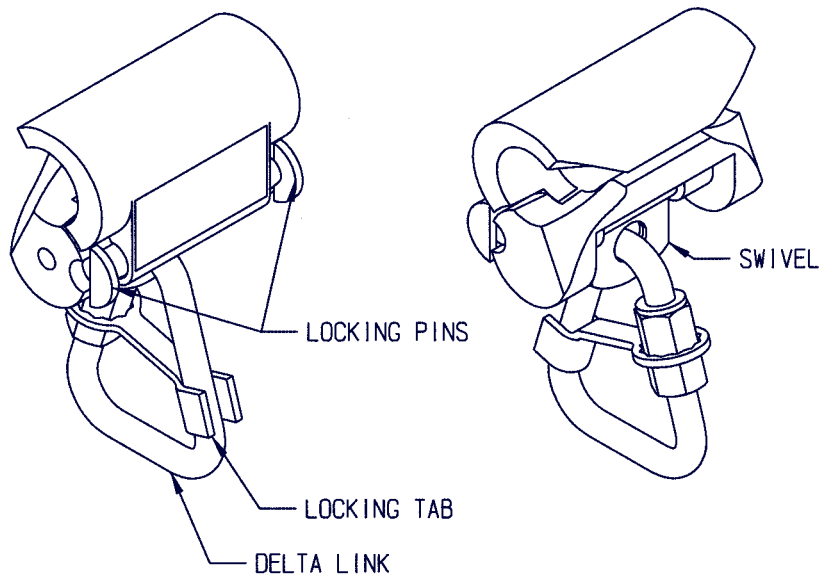
1.3 lbs

Breaking strength

> 5,000 lbs

Notes:

Allows user to attach and detach at any point along the lifeline.



# Roller Sayflink Sleeve

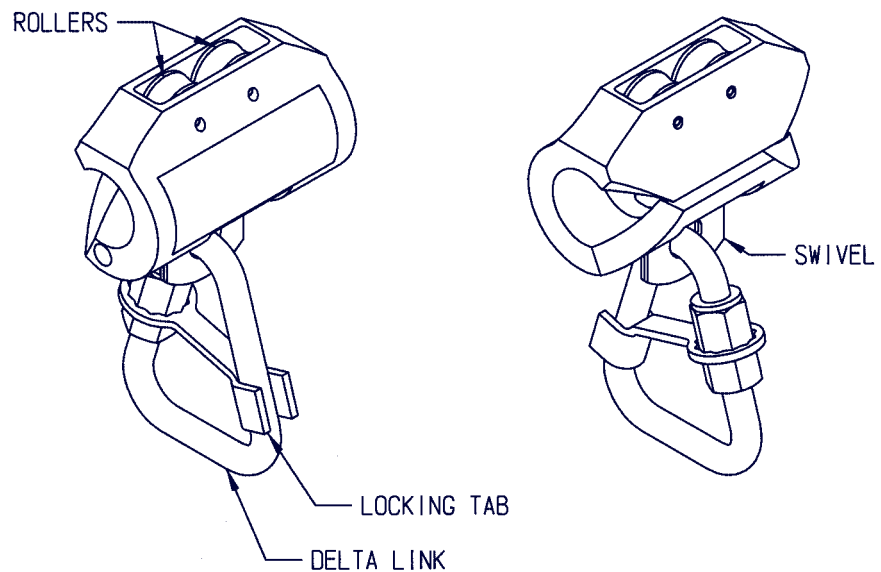
Part Number  
7210189

Material  
17-4PH stainless steel body components  
17-4 PH stainless steel hinge pin  
Nylon rollers  
Stainless steel swivel and roll pins  
Zinc plated steel delta link and locking tab

Weight  
1.1 lbs

Breaking strength  
> 5,000 lbs

Notes:  
User must attach and detach from lifeline only at entry/exit unit.



## End Anchor - Bolt On

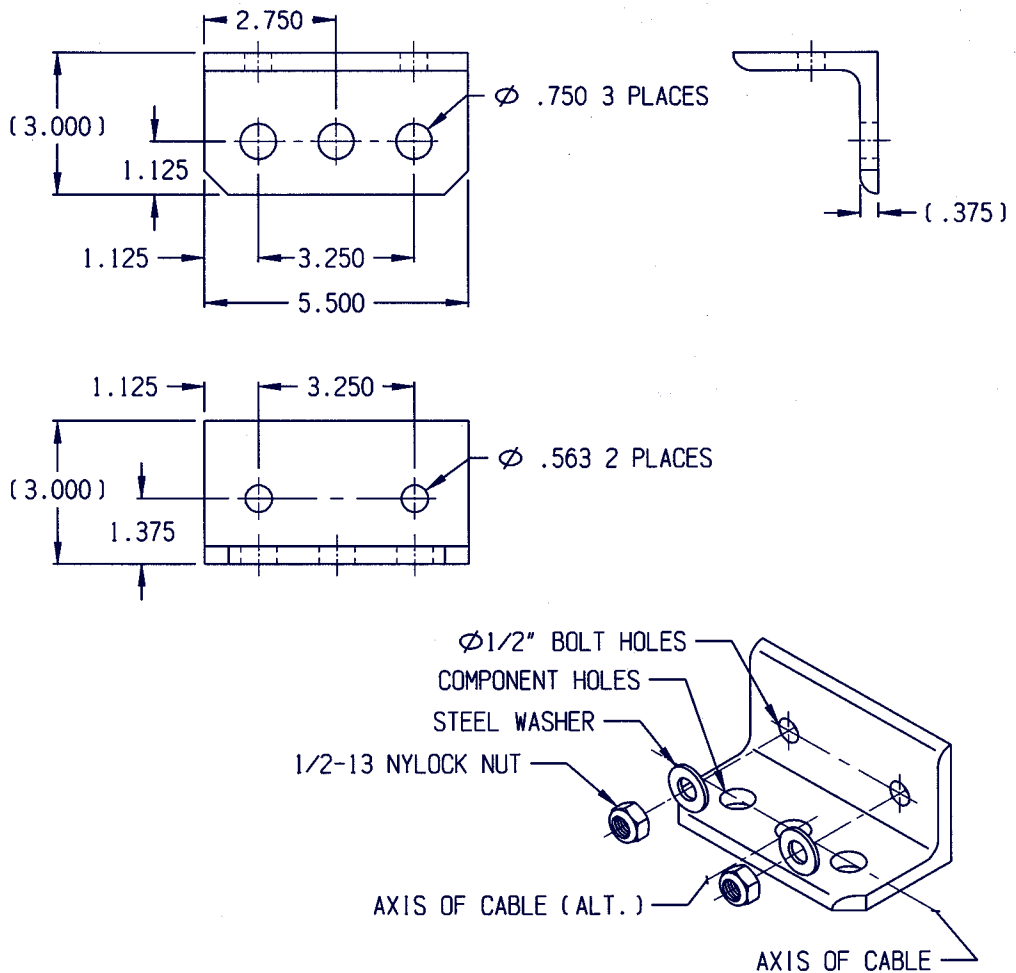
Part Number  
7209252

Material  
304 stainless steel angle  
316 stainless steel washers  
316 stainless steel lock nut with nylon insert

Weight  
3.2 lbs.

Breaking strength  
>20,000 lbs.

Notes:  
Requires two 1/2" - 13 fasteners



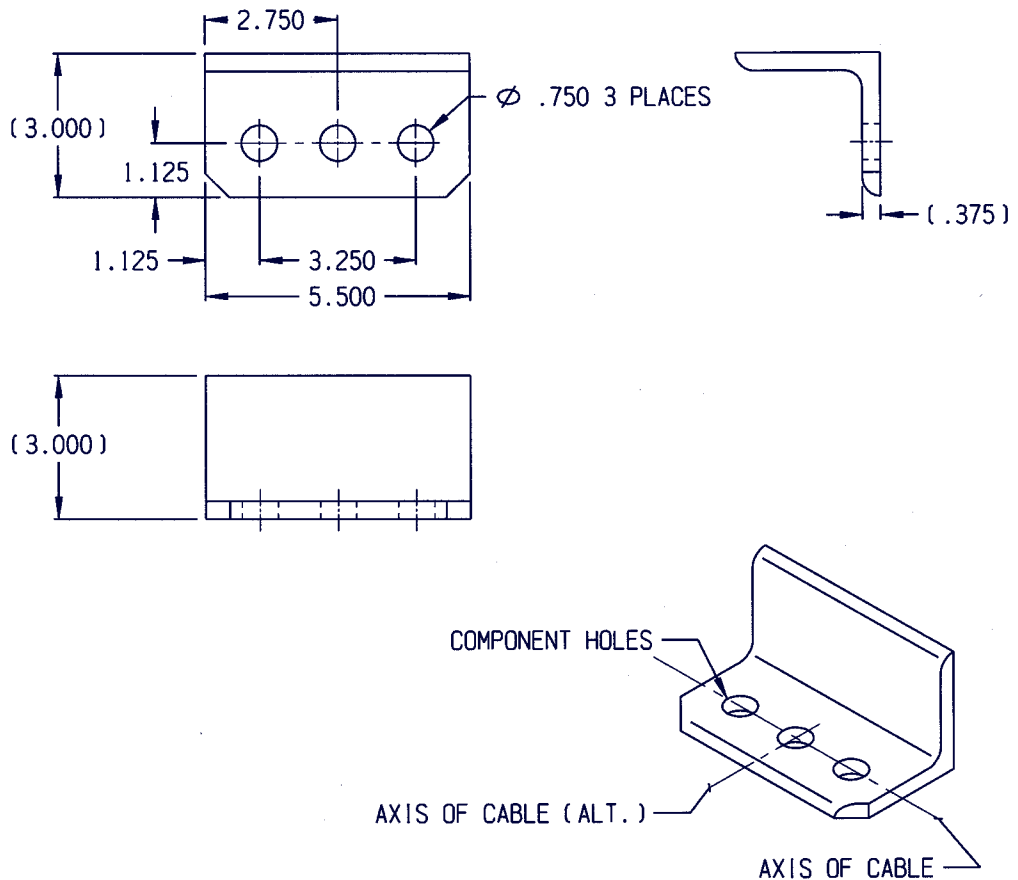
# End Anchor - Weld On

Part Number  
7210457

Material  
ASTM A36 carbon steel angle

Weight  
3.1 lbs.

Breaking strength  
> 20,000 lbs.



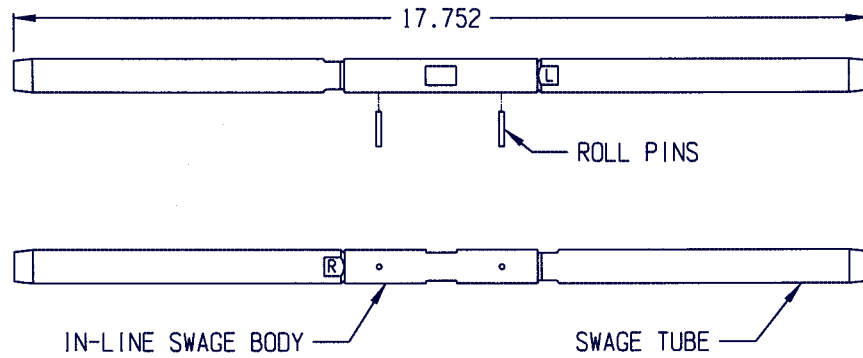
# In-line Swage Assembly

Part Number  
7209222

Material  
316 stainless steel swage tubes  
431 stainless steel in-line swage body  
Stainless steel roll pins

Weight  
2.0 lbs.

Breaking strength  
>14,000 lbs.  
Swage strength exceeds breaking strength of cable



# Intermediate Bracket

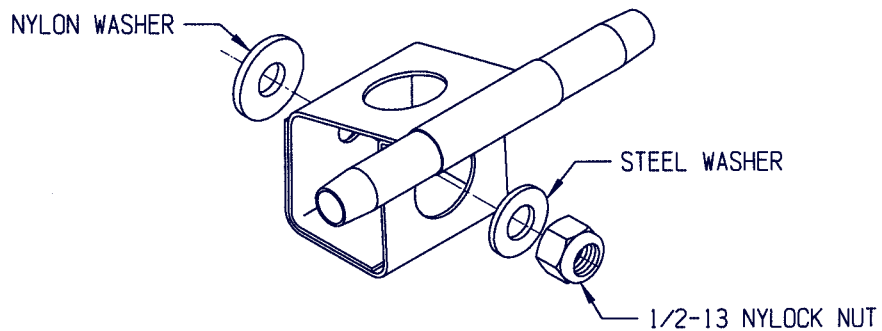
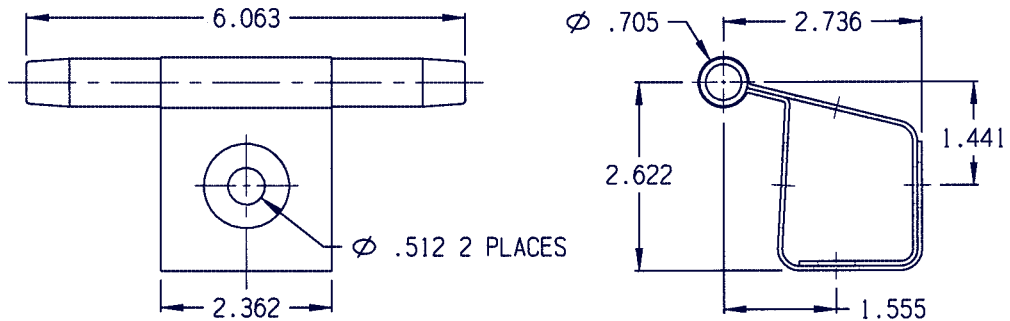
Part Number  
7209209

Material  
316 stainless steel bracket body  
316 stainless steel washer  
Nylon 6/6 isolation washer  
316 stainless steel lock nut with nylon insert

Weight  
0.9 lbs

Breaking strength  
> 6,800 lbs


Notes  
Contact SALA for the proper bracket orientation. The bracket may be orientated in one of several orientations based on the specific application. Requires one 1/2"-13 fastener.



# System Label

Part Number  
7211907

Material  
Stainless steel, self adhesive backing

 U.S. PATENT 5270365 <b>SAYFLIDA® HORIZONTAL LIFELINE SYSTEM</b> 3965 PEPIN AVENUE RED WING, MN 55066 877-746-2672	
<b>SYSTEM NUMBER</b> <input type="text"/>	<b>INSTALLED BY</b> <input type="text"/>
	<b>COMMISSION DATE</b> <input type="text"/>
<b>▲ WARNING</b>	
MANUFACTURER'S INSTRUCTIONS SUPPLIED WITH THIS SYSTEM AT THE TIME OF SHIPMENT MUST BE FOLLOWED FOR PROPER USE, INSPECTION AND MAINTENANCE. ALTERATION OR MISUSE OF THIS PRODUCT, FAILURE TO FOLLOW INSTRUCTIONS, OR UNAUTHORIZED SUBSTITUTION OF SYSTEM COMPONENTS MAY RESULT IN SERIOUS INJURY OR DEATH. INSPECT SYSTEM BEFORE EACH USE IN ACCORDANCE WITH USER INSTRUCTION MANUAL. ANNUAL RECERTIFICATION OF THE SYSTEM IS RECOMMENDED. AN IMMEDIATE INSPECTION IS REQUIRED FOLLOWING ANY FALL OR DAMAGE TO SYSTEM. THIS SYSTEM IS FOR USE BY TRAINED PERSONNEL ONLY. USE CAUTION WHEN USING NEAR THERMAL, ELECTRICAL, OR CHEMICAL SOURCES.	
<b>SYSTEM CAPACITY</b>	
MAXIMUM OF <input type="checkbox"/> USERS CONNECTED TO SYSTEM	
MAXIMUM OF <input type="checkbox"/> USERS CONNECTED IN ANY SUBSPAN	
<b>▲ WARNING</b> 310 LBS. (136 KG) MAXIMUM ALLOWABLE WEIGHT PER USER INCLUDING TOOLS & CLOTHING	
<b>USER EQUIPMENT</b>	
<input type="checkbox"/> ULTRA-LOK® WEB SERIES SELF RETRACTING LIFELINE	
<input type="checkbox"/> EZ STOP® II SHOCK ABSORBING LANYARD, LENGTH NOT TO EXCEED <input type="text"/> FT.	
<b>▲ WARNING</b> CONNECT TO THE SYSTEM USING A SAYFLINK SLEEVE AND THE USER EQUIPMENT AS MARKED	

## Entry/Exit Unit

### Part Number

7209278 (Right hand toggle)

7209279 (Left hand toggle)

### Material

316 stainless steel toggle assembly

316 stainless steelswage tube

431 stainless steel entry/exit body

Stainless steel roll pins

### Weight

2.4 lbs.

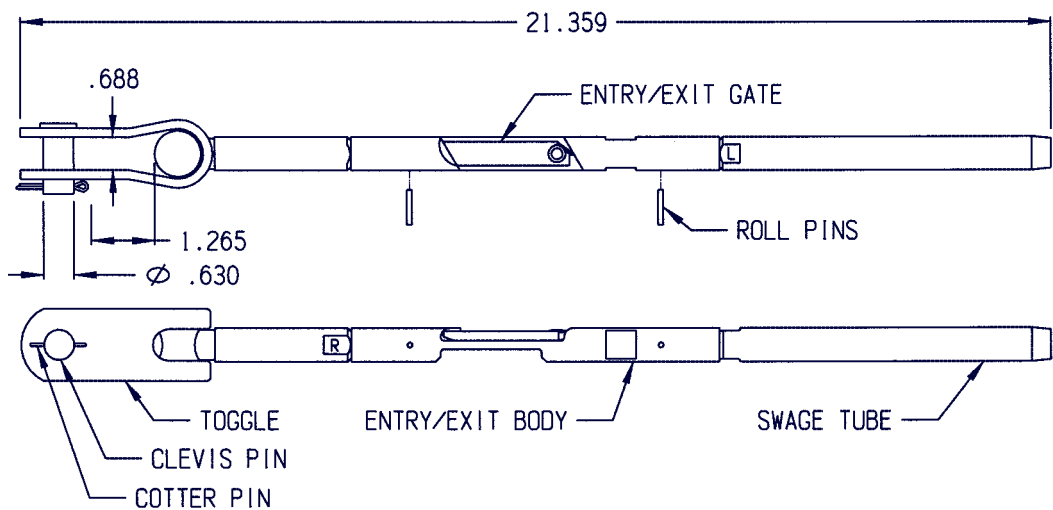
### Breaking strength

> 16,000 lbs.

Swage strength exceeds breaking strength of cable

### Notes

Contact SALA to determine if right or left hand toggle is required.



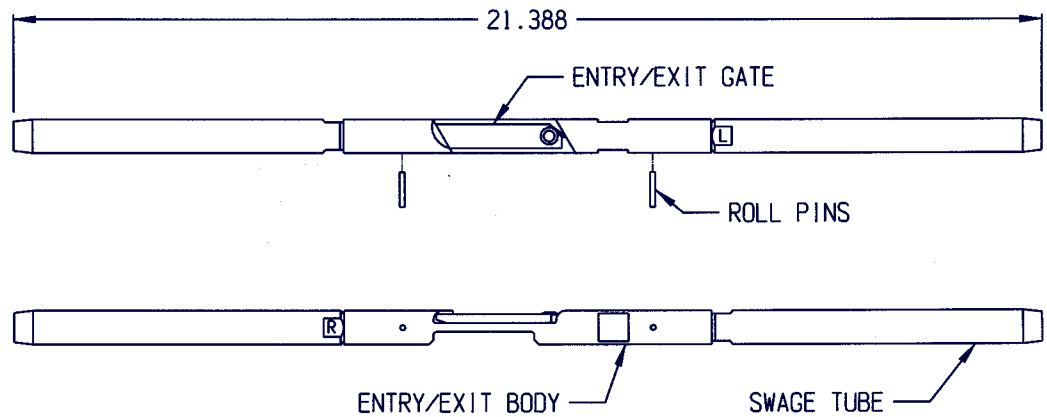
# Mid-Entry Exit Assembly

Part Number  
7209219

Material  
316 stainless steel swage tubes  
431 stainless steel entry/exit body  
Stainless steel roll pins

Weight  
1.6 lbs.

Breaking strength  
> 16,000 lbs.  
Swage strength exceeds the strength of the cable



# Detachable Roller Sayflink Sleeve

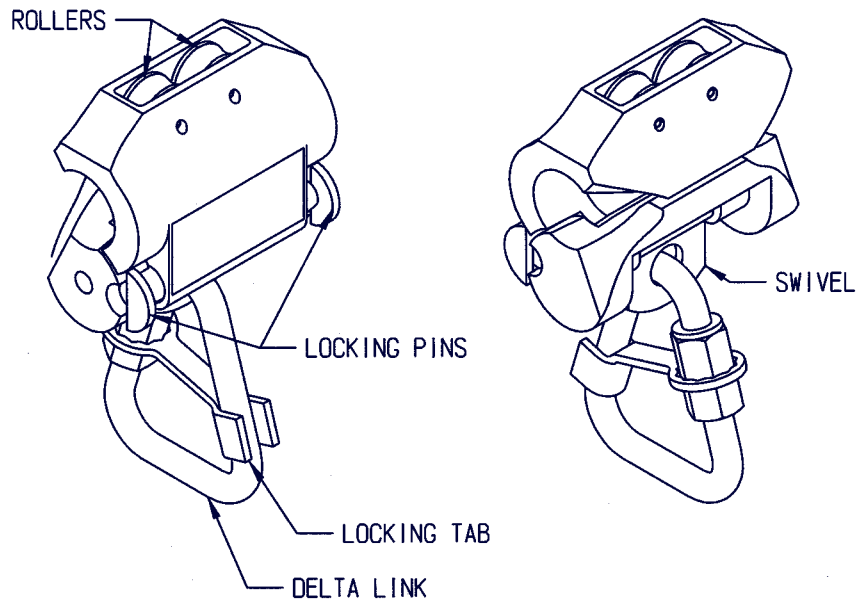
Part Number  
7204902

Material  
17-4 PH stainless steel body components  
17-4 PH stainless steel hinge pin  
Stainless steel swivel springs and roll pins  
Nylon rollers  
Zinc plated steel delta link and locking tab

Weight  
1.3 lbs.

Breaking strength  
> 5,000 lbs.

Notes:  
Allows user to attach and detach at any point along lifeline.



# Standard Sayflink Sleeve

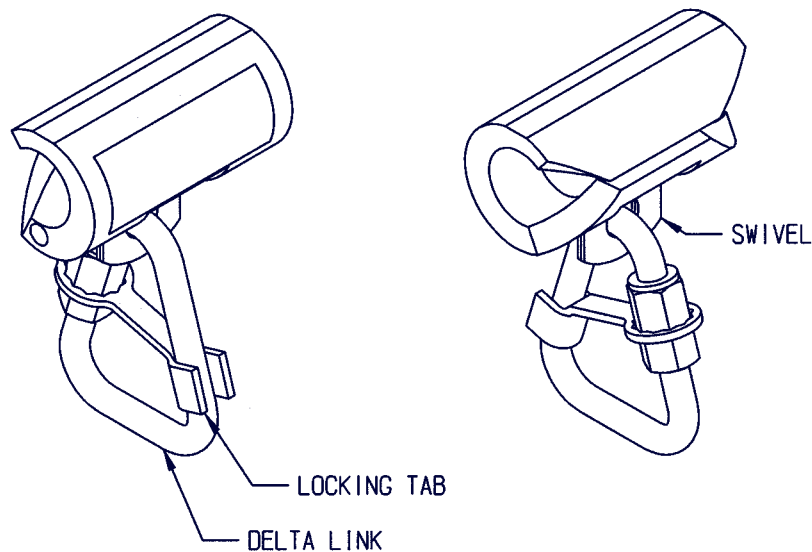
Part Number  
7209237

Material  
17-4 PH stainless steel body component  
17-4 PH stainless steel hinge pin  
Stainless steel swivel  
Zinc plated steel delta link and locking tab

Weight  
1.0 lbs.

Breaking strength  
> 5,000 lbs.

Notes:  
User must attach and detach from lifeline only at entry/exit unit.



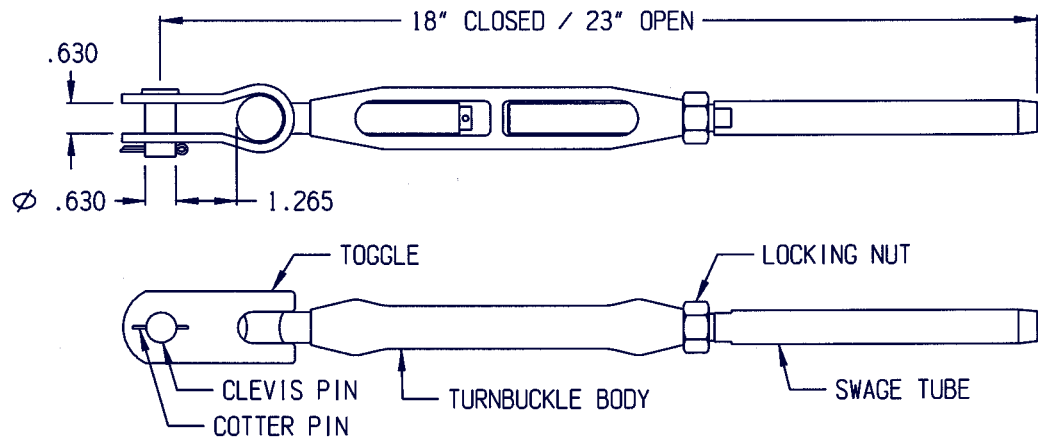
# Tensioner Unit, Toggle-Swage

Part Number  
7209212

Material  
316 stainless steel toggle assembly  
316 stainless steel swage tube  
Forged silicon bronze turnbuckle body, chrome plated

Weight  
2.9 lbs.

Breaking strength  
> 23,000 lbs.  
Swage strength exceeds breaking strength of the cable



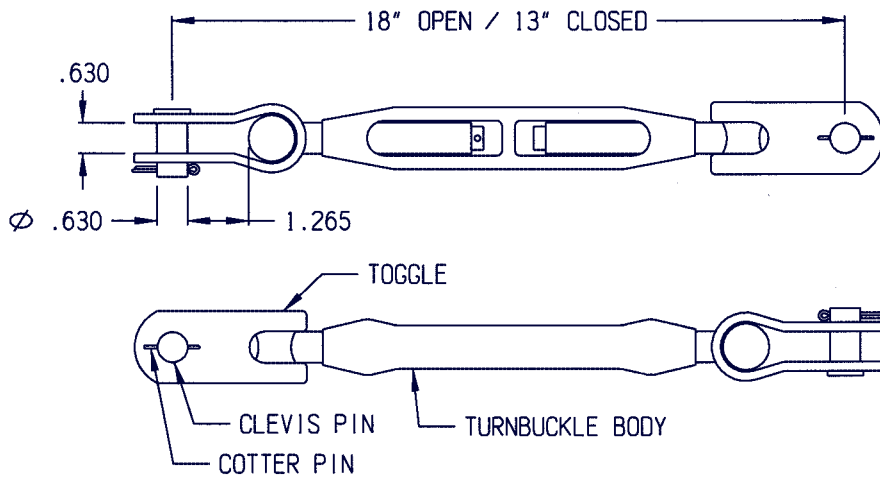
# Tensioner Unit, Toggle- Toggle

Part Number  
7209213

Material  
316 stainless steel toggle assemblies  
Forged silicon bronze turnbuckle body, chrome plated

Weight  
3.4 lbs.

Breaking strength  
> 23,000 lbs.  
Swage strength exceeds breaking strength of cable



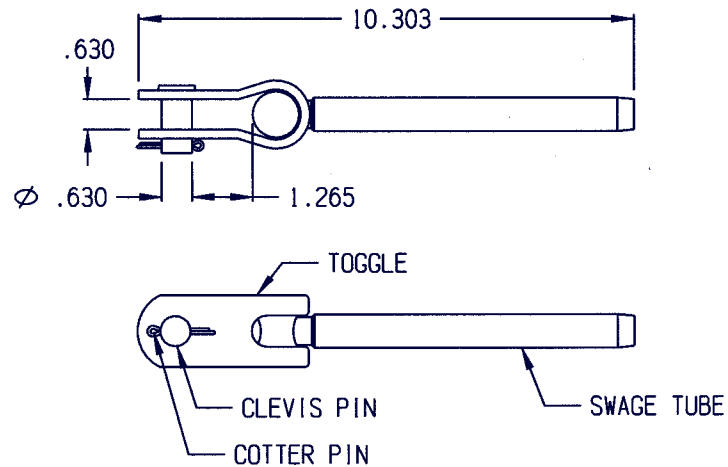
# Toggle-Swage Termination

Part Number  
7209239

Material  
316 stainless steel toggle assembly  
316 stainless steel swage tube

Weight  
1.5 lbs.

Breaking strength  
> 23,000 lbs.  
Swage strength exceeds breaking strength of cable





---

*SALA Engineered Systems*  
*3965 Pepin Ave - Red Wing, MN 55066*  
*877-746-2672 (Toll Free) 651-385-8658 (Fax)*  
*horizontalsystems@dbisala.com*

Form No.: 7209691  
Rev: A