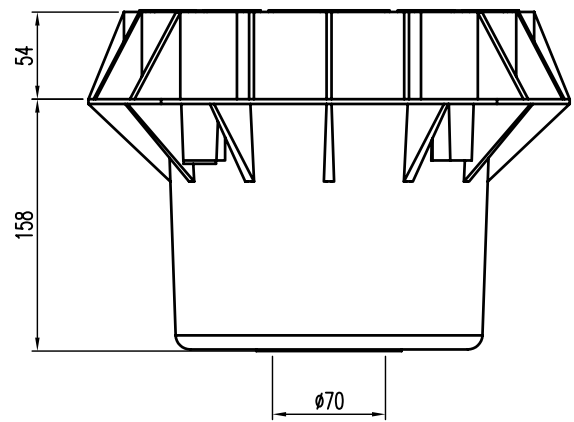


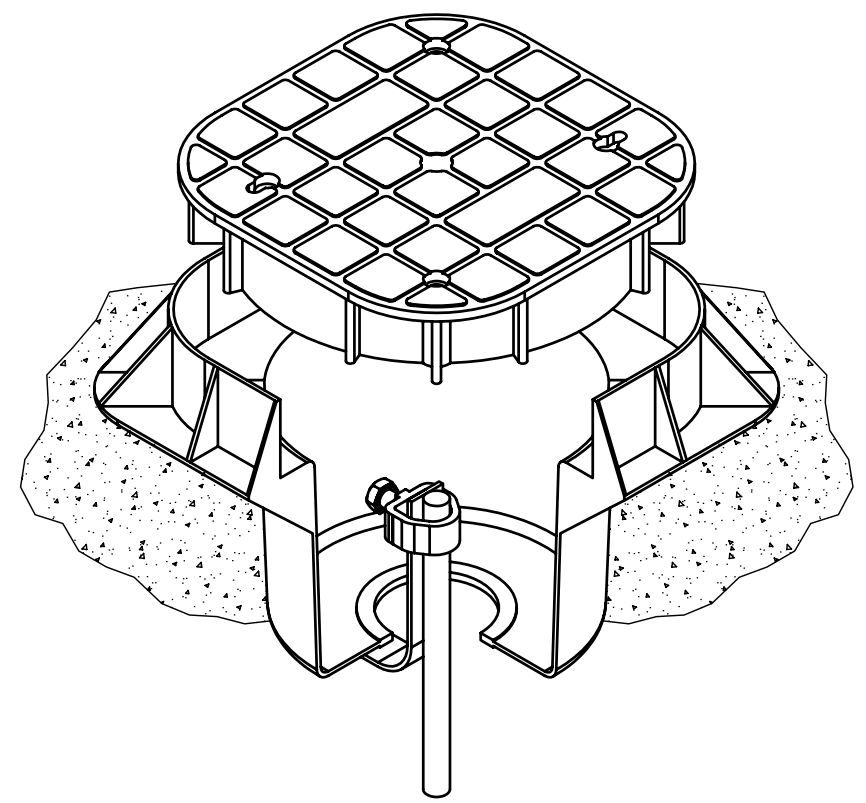
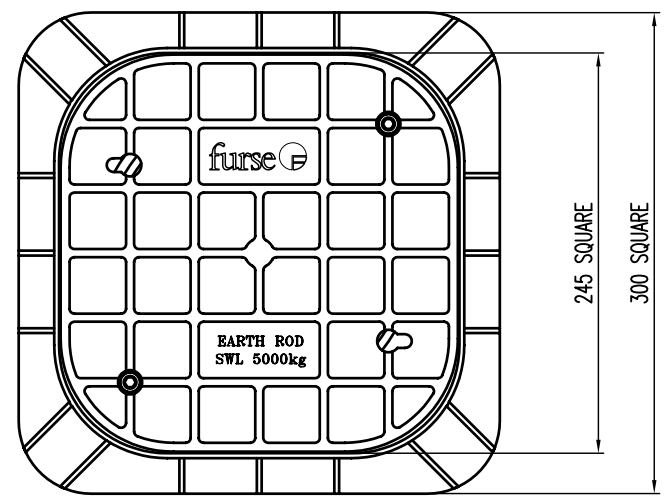
©
COPY RIGHT
RESERVED

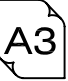
CUSTOMER
DRAWING

FIRST ANGLE PROJECTION 



HIGH LOAD-BEARING CAPACITY
METICULOUS DESIGN AND EXTENSIVE TESTING HAS
RESULTED IN THE SAFE WORKING LOAD OF 5000 KGS.
PATENT No. 9123547



1	26.01.99	NEW DRAWING (AUTOCAD R14)	J.B.	JLB	
ISSUE	DATE	REVISION	C'NOTE	DRN	APP
SIZE		GENERAL NOTES: 1. All dimensions in mm unless stated otherwise. W.J.FURSE RESERVE THE RIGHT TO ALTER THE DESIGN OF ANY PRODUCT WITHOUT NOTICE.			
					

furse 

W.J. Furse & Co. Ltd. Tel: 0115 986 3471.
Wilford Road. Fax: 0115 986 0538.
Nottingham. NG2 1EB.

Thomas&Botts

MATERIAL	' FURSE '
GLASS RE-INFORCED POLYMER	NAMED EARTH PIT
FINISH	CAD REF
LID - GREY BASE - BLACK	\cad\elp\customers\fixtures\ PT205-C

DATE	DRN
26.01.99	J.B.
SCALE	CHKD
1:2	JLB
SHEET	APP
1 OF 1	JLB
DEPT	REV
E&LP.	1